



# U Bend TT Bar(Stem Mounted) Installation Instructions



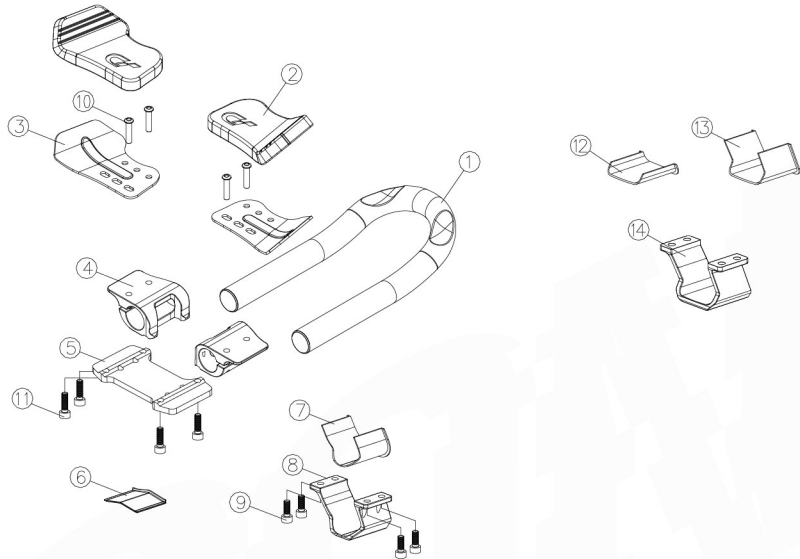
## 說明

感謝購買Controltech產品。請詳讀此安裝說明書並遵循正確使用方式，若沒有遵從說明書警告事項而導致產品損壞則不再保固範圍內。

## 保固

從購買日起Controltech提供兩年產品保固。消費者請保留產品保證書或相關的購買證明(如發票或收據)。產品在保固期內有需要維修服務時，煩請提出保證書或相關購買證明。

Controltech保固不包括錯誤或惡意之損壞，也不包含跳躍摔倒降落衝擊或其他的碰撞，以及忽視定期保養和錯誤零件組裝。另外，私自改裝、增加或替換產品上的零件，是不包含在保固內。自然的損壞也不包含在保固範圍內。

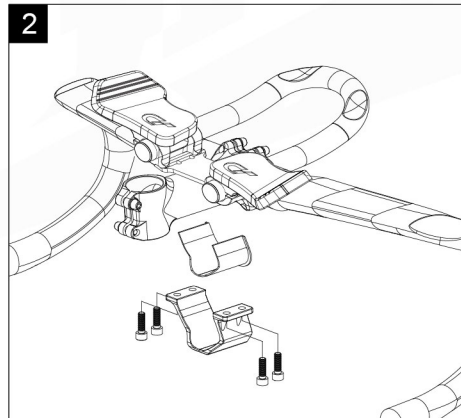
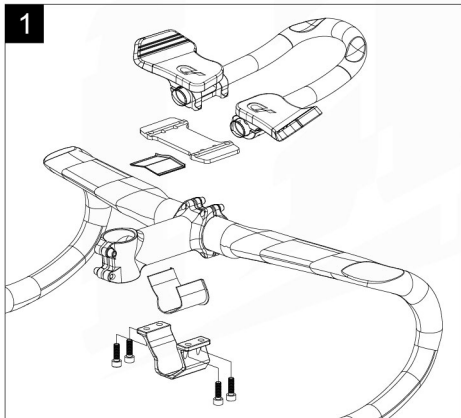


## 產品名稱 / 型號

U Bend TT Bar(Stem Mounted) / TTH-14-S

## 零件名稱

- ① U型短把主體x1
- ② 靠墊 x2
- ③ 手肘板 x2
- ④ G夾 x2
- ⑤ 上束壓片x1
- ⑥ 上壓片橡膠墊x1
- ⑦ 圓形橡膠墊x1
- ⑧ 圓形下束環x1
- ⑨ M5螺絲x4(10mm)(圓形、方形下束環用)
- ⑩ M5螺絲x4(25mm)(手肘板用)
- ⑪ M5螺絲x4(16mm)(上束壓片用)
- ⑫ 方形短橡膠墊x1
- ⑬ 方形長橡膠墊x1
- ⑭ 方形下束環x1



## 安裝說明

1. 請先確認欲組裝的立管是圓形或方形，若是圓形請用⑦⑧，若是方形請用⑫⑬⑭。
2. 依序將①②③④⑩組裝好(鎖固最大扭力值5Nm)。
3. 將⑤⑥⑦⑧⑨⑪安裝於立管上(立管圓形)(鎖固最大扭力值5Nm)。
4. 將⑤⑥⑬⑭⑨⑪安裝於立管上(立管方形)(鎖固最大扭力值5Nm)。

⑫		立管寬度36mm(以下)使用	
⑬		立管寬度36mm(以上)使用	





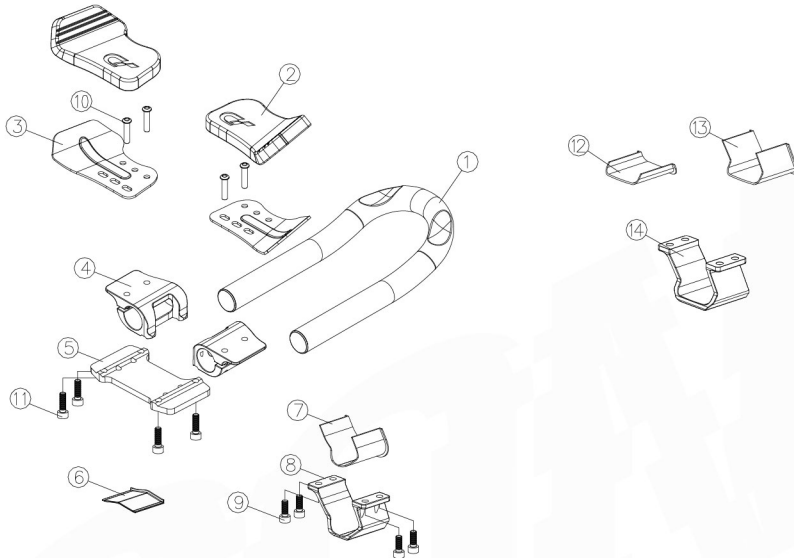
# U Bend TT Bar(Stem Mounted) Installation Instructions



Thank you for choosing this Controltech. With proper care and installation, it will give you trouble-free, enjoyable use.

In order to maximize the safe enjoyment of this product, you should read and carefully follow the following installation instructions and warnings. Failure to do so could result in unexpected wear and/or failure, possibly resulting in injury.

Controltech warrants this product to be free from defects in materials and workmanship for a period of two years from the date of purchase when purchased from an authorized Controltech dealer. This warranty is extended only to the original owner of the product and is not transferable. Proof of purchase is required for any warranty service, so be sure to keep your receipt. This warranty does not cover cosmetic or structural damage arising from misuse or abuse, including damage caused by crashes, jumping and landing, front end impact, falls or any other collision, owner neglect of regular maintenance, improper installation of parts and accessories. Controltech makes no warranty if modifications, changes, additions or substitutions are made to any components. Wear from normal use or exposure to environmental elements is not covered by this warranty. Controltech makes no warranty against any incidental or consequential damage to bike or parts, or rider injury caused by defects as covered in this warranty.

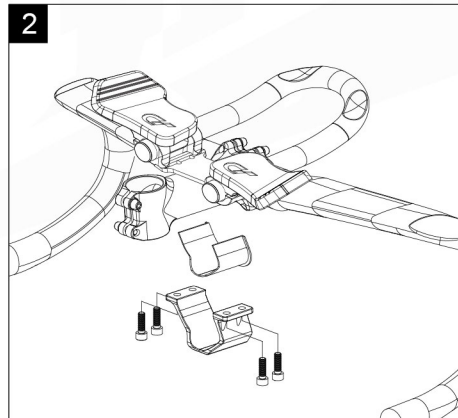
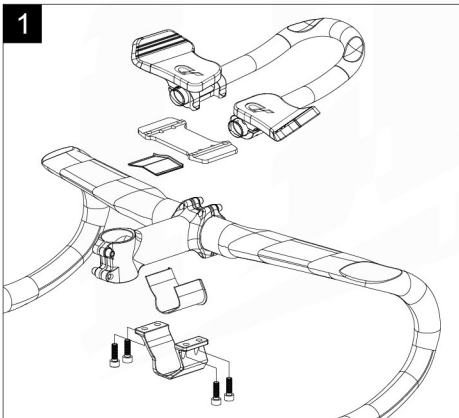


## Model name / Model no.

U Bend TT Bar(Stem Mounted) / TTH-14-S

## Part

- ① U-Bend extension x1
- ② Elbow pad x2
- ③ Elbow pad cradle x2
- ④ G Clamp x2
- ⑤ Upper clamp x1
- ⑥ Clamp pad Upper x1
- ⑦ Round clamp pad Lower x1
- ⑧ Round Lower clamp x1
- ⑨ M5 bolts for round and square clamp x4(10mm)
- ⑩ M5 bolts for pad cradle x4(25mm)
- ⑪ M5 bolts for upper clamp x4(16mm)
- ⑫ Square clamp pad Short x1
- ⑬ Square clamp pad Tall x1
- ⑭ Lower Square clamp x1



## Installation

1. Ensure the stem body is round or square type. Part⑦⑧for Round type and Part⑫⑬⑭ for square type.
2. Assemble U-Bend extension ① with Elbow pad ②, Elbow pad cradle ③, G Clamp ④, and M5 bolts for pad cradle ⑩ in sequence and tighten 4 M5 bolts (Max torque: 5Nm).
3. Assemble Upper clamp ⑤, Clamp pad Upper ⑥, Round clamp pad Lower ⑦, Round Lower clamp ⑧, M5 bolts for round clamp ⑨, M5 bolts for upper clamp ⑪, in sequence and tighten bolts (Max torque: 5Nm)(Stem body is round).
4. Assemble Upper clamp ⑤, Clamp pad Upper ⑥, Square clamp pad Tall⑬,Lower Square clamp⑭, M5 bolts for square clamp ⑨, M5 bolts for upper clamp ⑪, in sequence and tighten bolts (Max torque: 5Nm)(Stem body is square).

⑫		Stem width less 36mm use	
⑬		Stem width greater 36mm use	

